

# PRYOR

TECHNOLOGY

# DAPRA™

MARKING SOLUTIONS

[www.DapraMarking.com](http://www.DapraMarking.com)

800-442-6275

## PortaDot 60-30 Touch



## The new portable dot marker from Pryor.

We are very proud of our NEW all-in-one portable dot peen marking machine, The PortaDot 60-30 Touch. The first marking machine to feature our new 4000 integrated control system.

The PortaDot 60-30 Touch is an extremely versatile, lightweight and mobile handheld marking machine with a marking window of 60mm x 30mm. It is powered by a Bosch 36V battery for 'all day' use and features patented technology to ensure that the marking force does not deteriorate as the battery power depletes. The new integrated control system is based on our 4000 Series Controller and has many of the same functions and features, all packaged within the marking head for ultimately mobility.

Marking programmes can be created, edited, and saved directly to the marking machine using the 5.7 inch touch screen display so that they can then easily be loaded the next time that programme is required.

It provides a fast, convenient method of marking a huge variety of parts in multiple locations.







# What's in the box

The standard machine is supplied with:

- 1 x P60-30 Touch fitted with 90 degrees stylus
- 1x Bosch 36V batteries
- 1x battery charge and mains charging cable (UK, USA, & EU)
- Spare stylus (120 degrees) and spring
- Robust carry case for transport and storage

# Technical Information

- Fully Portable, Lightweight Dot Peen Marking Machine
- 60mm x 30mm marking window
- High Power 36V, quick changeover, battery for deeper marking applications.
- Fully programmable touch screen interface with built-in screen-protector and stylus
- Suitable for engraving identification marks, logos or 2D barcode information
- Can permanently mark most engineering materials up to a maximum hardness of 62Hrc
- Standard Character Sizes: 0.19mm – 59.9mm in increments of 0.19mm (5x7 font) or 0.25mm (7x9 font)
- Dimensions: 295mm(H) x 170mm (W) x 303mm (L)
- Weight: Marking head/battery: 3.7kg
- Drive Mechanism: XY precision lead screws
- Adjustable face mask with horizontal and vertical 'V' grooves for tube/pipe marking.
- Dot Mark output styles: 5 x 7, 7 x 9, Varidot, 2D Data Matrix, QR Code, HPGL, BMP Logos
- Connectivity options: USB A (USB Flash drive, USB Keyboard), USB B (PC USB-Com Connectivity), WiFi 802.11/b/g/d/h/i/n 2.4GHz (Wireless scanners, data logging, network interfacing)
- MS Excel (\*.csv) marking and logging modes.
- Program memory capacity: up to 9000 layouts
- Integrated LED lighting with tilt activation
- On screen mark preview and trial run features
- Rugged carry case
- High Speed Battery Charger: AC Input 50/60Hz; 100-240VAC

**PRYOR**  
TECHNOLOGY

**DAPRA**<sup>TM</sup>  
MARKING SOLUTIONS

[www.DapraMarking.com](http://www.DapraMarking.com)

800-442-6275

# PortaDot 60-30 Touch Base & Column

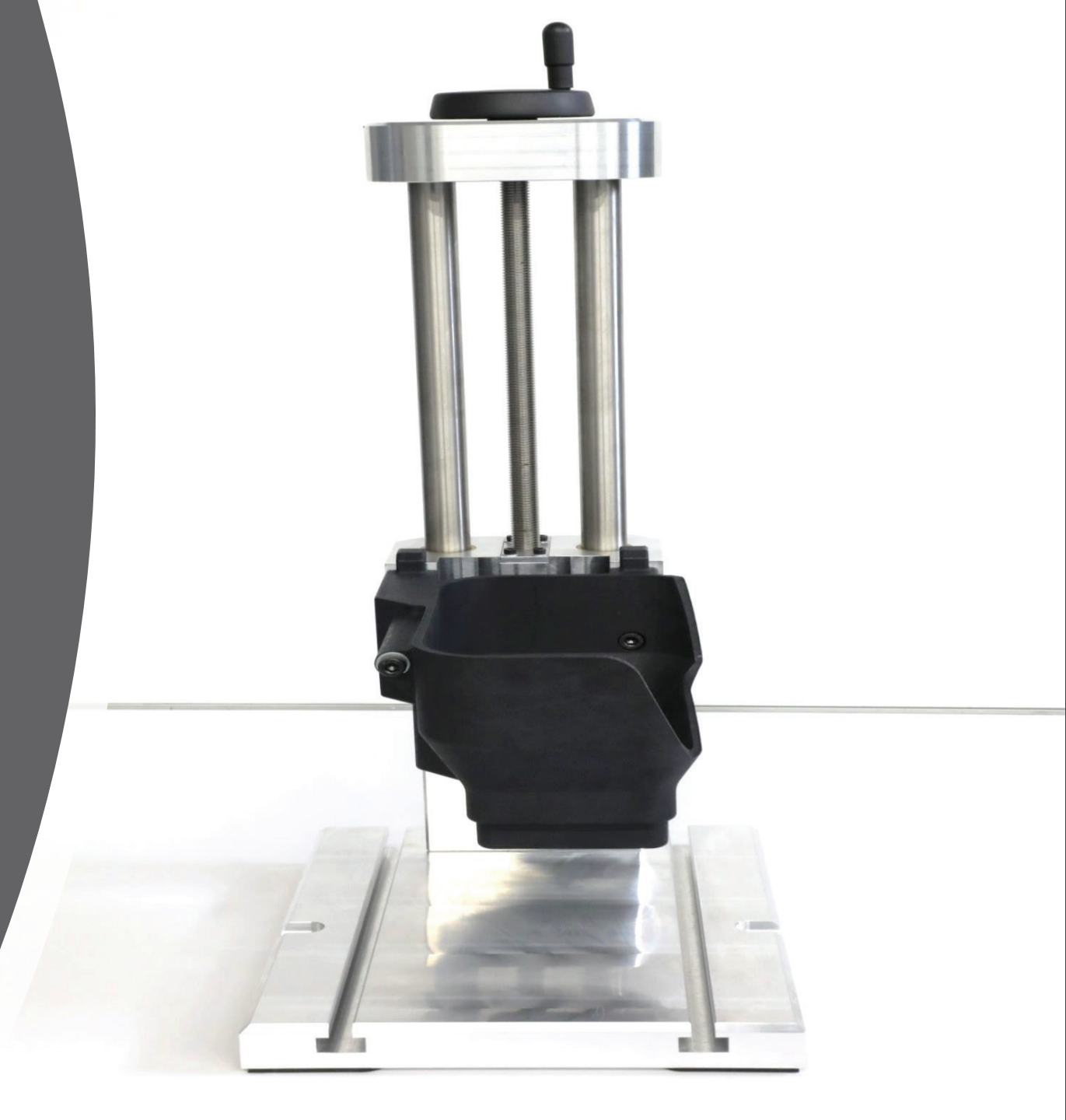




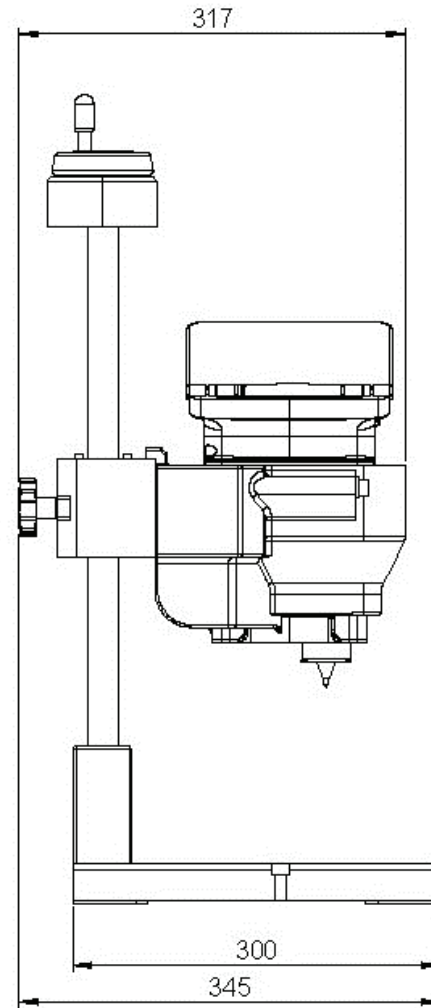
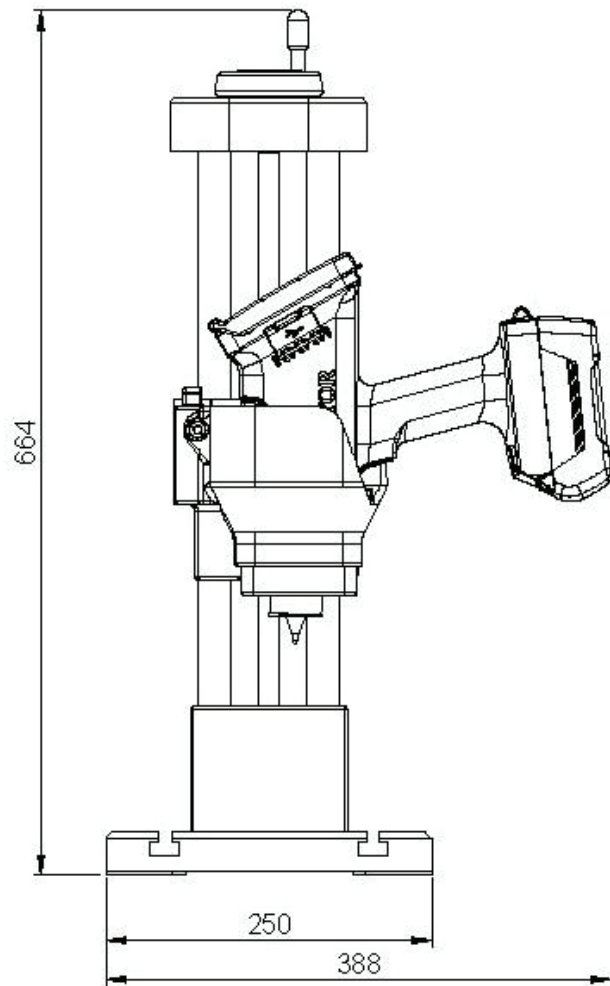
## The new Base and Column for the portable P60-30 is finally here!

This mount will quickly transform your PortaDot 60-30 Touch into a fixed benchtop marking system that can be implemented in your manufacturing process. You simply need to remove the facemask and secure the machine in the designated holster.

In case you need to rapidly convert the machine back to a portable device, simply remove the PortaDot, slide the facemask back on, and you are ready to go. The base and column used for this product are taken from our MarkMate dot marking machine, a tried and tested design that gives great stability and fine control over the height of the marking head. The holster is a 3D printed MJF Nylon 12 which allows us to produce a profile that mirrors the shape of the P60-30 Touch so precisely that it requires no locking or fastening points, the weight of the P60-30 alone is enough to maintain its position.



PortaDot 60-30E  
Column Mount & Dock with Dimensions



[www.DapraMarking.com](http://www.DapraMarking.com)

800-442-6275