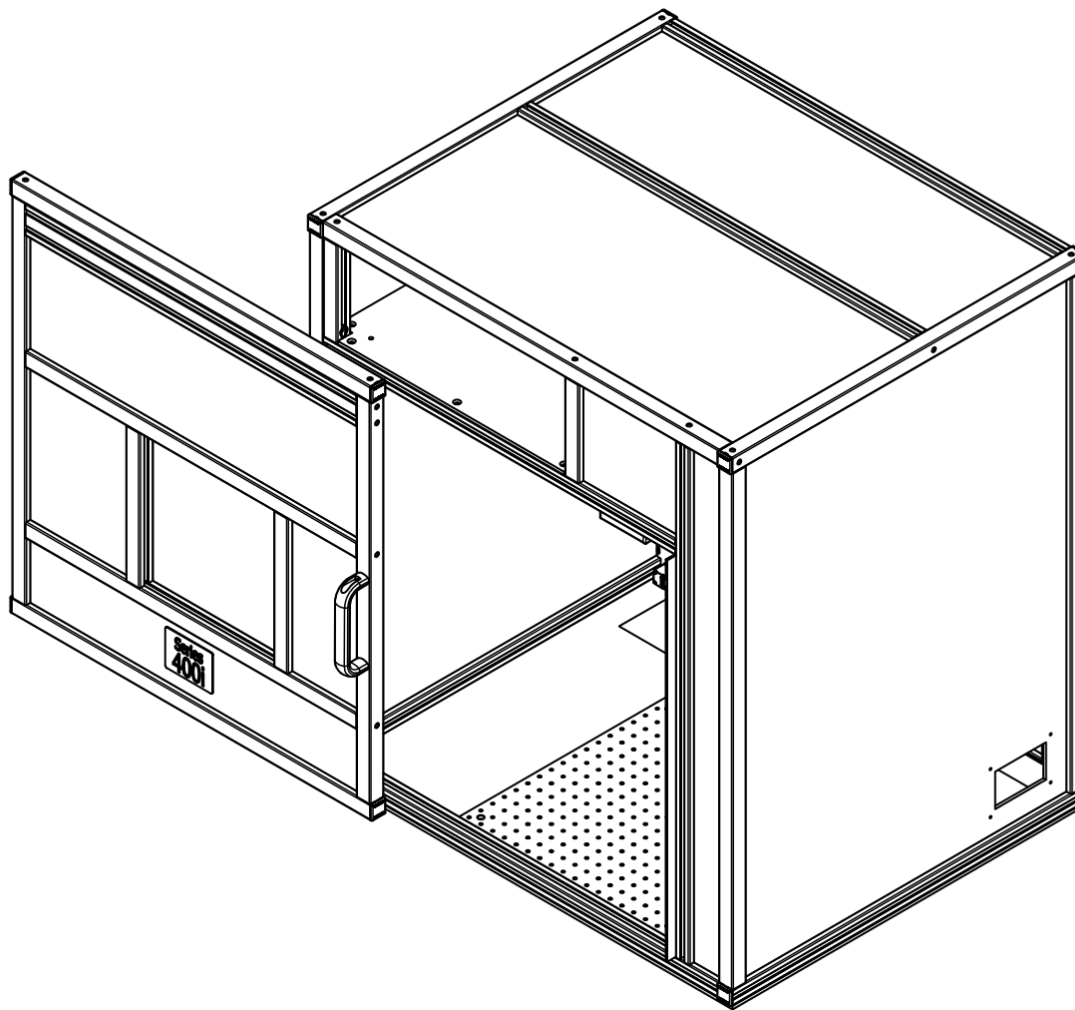


**Headquarters**  
66 Granby St  
Bloomfield, Ct 06002  
[www.dapramarking.com](http://www.dapramarking.com)

**Midwest Technical Center**  
4861 American Road  
Rockford, IL 61109  
800-442-6275



## **Model 400i - Class 1 Laser**

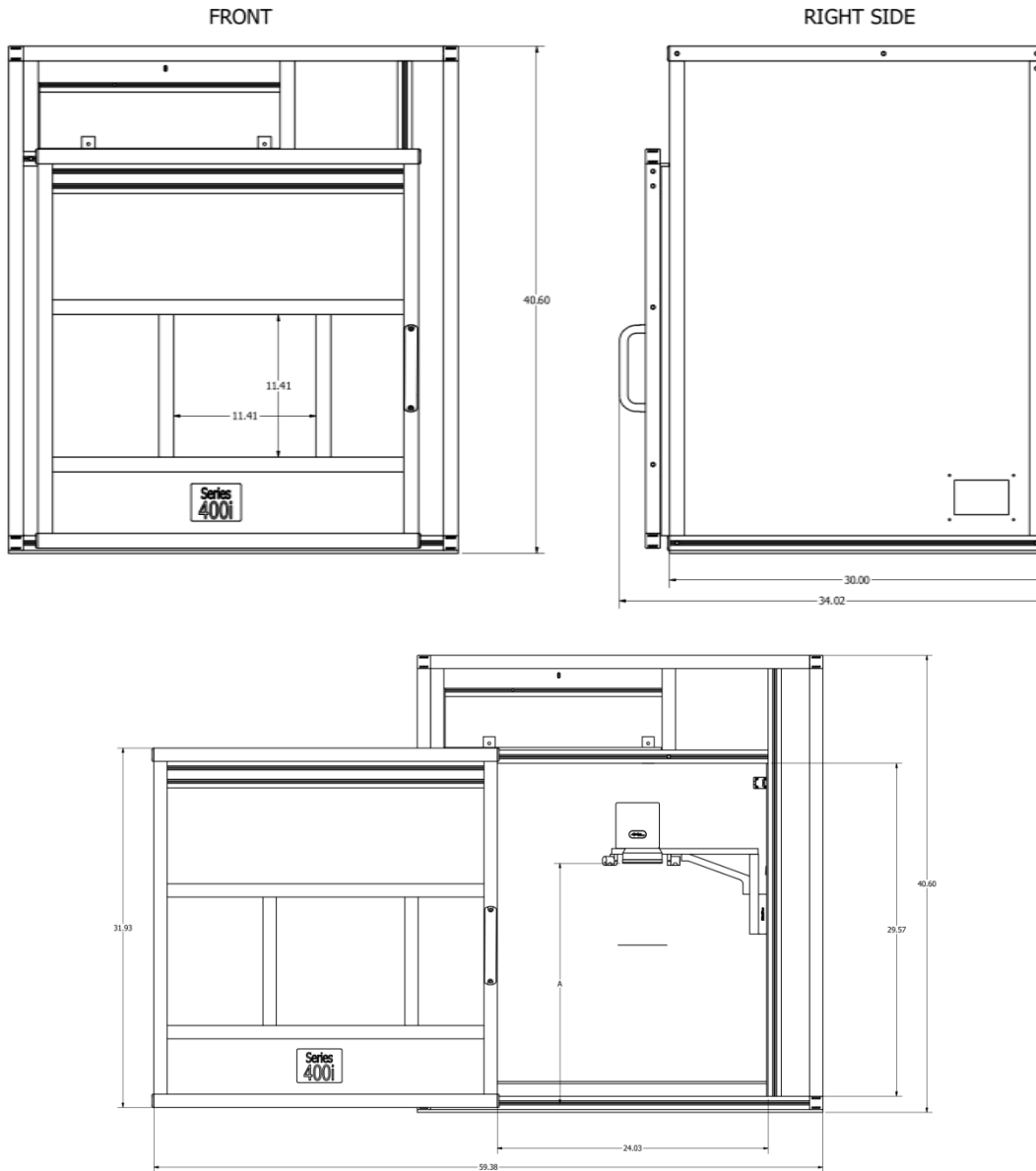


**Headquarters**  
 66 Granby St  
 Bloomfield, Ct 06002  
[www.dapramarking.com](http://www.dapramarking.com)

**Midwest Technical Center**  
 4861 American Road  
 Rockford, IL 61109  
 800-442-6275



## Model 400i - Class 1 Laser



Marking Capacity				
Lens	Height to Lens 'A'	Lens Working Focal Distance	Max Part Height	Marking Area
163	21.9"	7.4"	14.5"	4.33" x 4.33"
254	21.9"	11.3"	10.6"	6.69" x 6.69"
330	21.15"	15.3"	5.85"	8.46" x 8.46"